



# **Palletizing robot quotation file**

## **Company introduction**

Hefei Eagle automation engineering technology Co., LTD., a high-tech enterprise, with the ability of independent innovation as core competitiveness, is a modern high-tech company specialized in handling Palletizing robot & automatic packing machine's R&D, production, sales and after-sale service in China.

Our company is located in famous science and education city-Hefei, collected a group of high-level, high-quality professional talents. The company actively promote "production, study and research combined" model of development, hand in hand with China University of Technology, Chinese academy of sciences Hefei branch, scientific research unit etc. We successfully develop a new generation of palletizing robot and automatic packing line, which is widely used in automatic packing and logistics engineering field, its palletizing ability and other technical indexes are all in the leading domestic level.

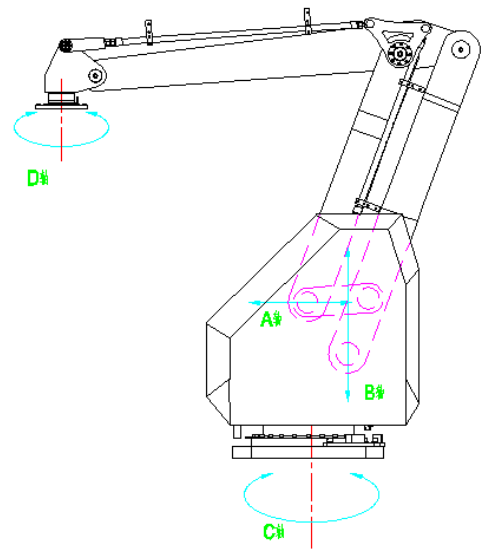
The machine is widely used in the chemical, building materials, food, beverage, beer, and automatic logistics industries. From the material into the machine to the packed material palletized, from the configuration of the robot to grasper design, Hefei Eagle automation engineering technology Co., LTD., can provide comprehensive palletizing system and packing equipment manufacturing, at the same time we have perfect after-sale service system, to provide you high quality technical support and after-sales service.

The company takes science and technology as the forerunner; strive for survival by quality; struggle the market with credit, provide reliable products and reasonable scheme to every customer. Eagle's staff full of team work spirit, with serious work attitude and hard entrepreneurial spirit, speed up innovation, strive for excellence. The eagle Company will cooperate with you, Walk hand in hand, to forge ahead, create brilliant!

## **Brief introduction**

Eagle XY-SR series palletizing robot is four free-degree cylinder surface coordinate palletizing robot, mainly move by horizontal movement axis, vertical movement axis, rotation foundation and front hand axis.

The palletizing robot is constituted of palletizing robot body and palletizing robot hands.



## XYSR---210 series palletizing robot

### Main electrical components

No	Parts name	Model	QTY	Supplier	Note
1	A axis servo motor	MSME152G1H	1	Panasonic	Japan
2	B axis servo motor	MDME402G1H	1	Panasonic	Japan
3	C axis servo motor	MDME402G1H	1	Panasonic	Japan
4	D axis servo motor	MSMD042G1U	1	Panasonic	Japan
5	A axis servo amplifier	MDDHT5540	1	Panasonic	Japan
6	B axis servo amplifier	MFDHTB3A2	1	Panasonic	Japan
7	C axis servo amplifier	MFDHTB3A2	1	Panasonic	Japan
8	D axis servo amplifier	MBDHT2510	1	Panasonic	Japan
9	A axis synchronous belt	OMEGA HP B25	1	OPTIBELT	Germany
10	B axis synchronous belt	OMEGA HP B25	1	OPTIBELT	Germany
11	C axis synchronous belt	OMEGA HP B15	1	OPTIBELT	Germany
12	B axis screw	R50*20-S	1	HIWIN	Taiwan
13	C axis screw	R45*12-S	1	HIWIN	Taiwan
14	B axis slider, guild rail	SNS35LR2SSC1-840	2	THK	Japan
15	C axis slider, guild rail	SNS35LR2SSC1-600	2	THK	Japan
16	A axis reducer	FC-A75-69	1	Sumitomo	Japan
17	D axis reducer	F2C-T155	1	Sumitomo	Japan
18	Controller	/	1	ADI	America
19	Touch screen	GP2301H	1	Pro-face	Japan
20	Regenerative resistor	RXLG500~1000	4	JIAYINGDA	
21	Limit switch	SL1-AK	5	AZBIL	Japan
22	Optoelectronic switch	E3Z-D82	5	Omron	Japan

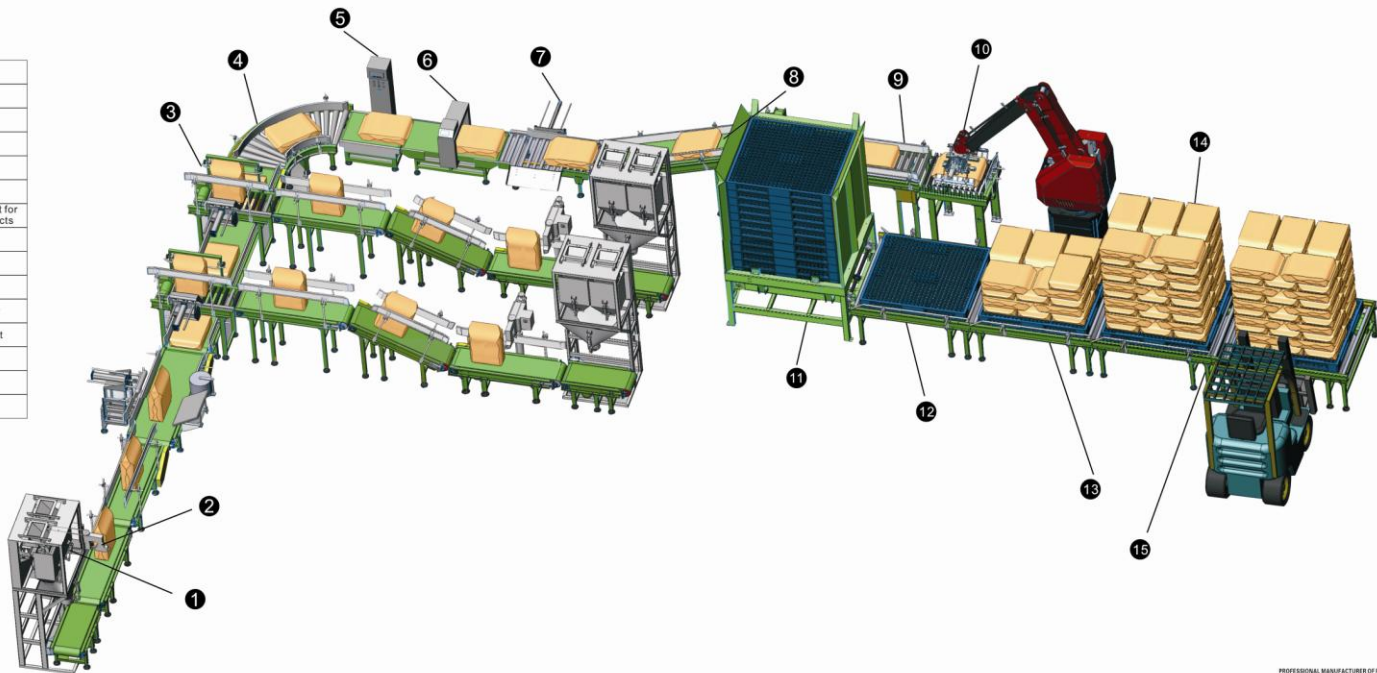
23	Solenoid valve	SY5120/7120	2	SMC	Japan
24	Press-bag cylinder	MGPM25	2	SMC	Japan
25	Hand grab cylinder	CG1BN63	4	SMC	Japan
26	Bearing	///	6	SKF	Switzerland

PACKAGING AND PALLETIZING LINE

MASTERY OF THE CORE TECHNOLOGY

PACKAGING AND PALLETIZING  
PRODUCTION LINE

1	Packaging machine
2	Bag-sewing machine
3	Push bag conveyor
4	Curve conveyor
5	Dynamic check weigher
6	Metal detector
7	Conveyor with equipment for rejecting defective products
8	Elevating conveyor
9	Conveyor with bag shaping equipment
10	Conveyor for grabbing
11	Automatic pallet provider
12	Conveyor for empty pallet
13	Conveyor for palletizing
14	Conveyor for full pallet
15	Conveyor for forklift



PROFESSIONAL MANUFACTURER OF PACK